

boule

by Sebastian Herkner
FLOOR AND TABLE LAMP



The boule series: consisting of a table light, a short floor light and a tall floor light, bring a bold scale to their ambient output. Sitting atop a simple porcelain base, the series allows for the reflected and refracted radiance to take centre stage; captivating onlookers well into the warm evening.

YEAR OF DESIGN
2016

MATERIAL
handblown glass and ceramic

COLOURS + ART. NR

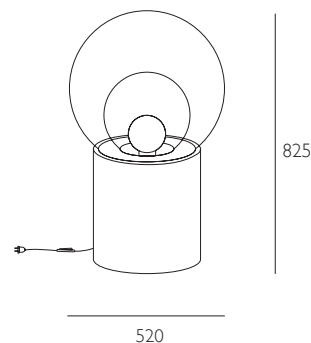
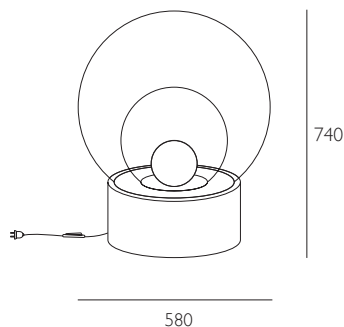
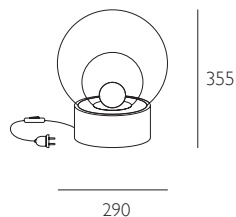
SHADE GLASS BASE CERAMIC	transparent opal white black	transparent smoky grey black	smoky grey opal white black	smoky grey smoky grey black
SMALL	4600TWS	4600TGS	4600GWS	4600GGS
MEDIUM	4700TWS	4700TGS	4700GWS	4700GGS
HIGH	5000TWS	5000TGS	5000GWS	5000GGS

SHADE GLASS BASE CERAMIC	transparent opal white white	transparent smoky grey white	smoky grey opal white white	smoky grey smoky grey white
SMALL	4600TWW	4600TGW	4600GWW	4600GGW
MEDIUM	4700TWW	4700TGW	4700GWW	4700GGW
HIGH	5000TWW	5000TGW	5000GWW	5000GGW

SHADE GLASS BASE CERAMIC	smoky grey smoky grey colombia
SMALL	4600GGC
MEDIUM	4700GGC
HIGH	5000GGC

DIMENSIONS (mm)
SMALL
Ø290 × 355 H
MEDIUM
Ø580 × 740 H
HIGH
Ø520 × 825 H

PROCESS
Each piece is created from transparent or coloured handblown glass. The base is produced from porcelain with a mat glaze. Bubbles, streaks and other variations in size and colour are part of the production process, and not defects of the design or production.



boule small TABLE LAMP

BASE

ceramic

SHADE

handblown glass, coloured

CABLE

textile, 4000 mm with foot switch and Euro-plug

DIMENSIONS (mm)

Ø 290 × 355 H

LIGHT SOURCE

Bulb: LED

Bulb fitting: E27 240 Volt

Dimensions (mm): Ø 80 × 120 H

Power consumption: max. 7 Watt

Voltage (V): 220–240; 50/60 Hz

Lifetime: 30 000 h

Radiation angle: 360°

Colour temperature: 2700 K

Lumen: 806 lm

Energy class: A++

Finish: warm white



UL Version

LED Filament fully dimmable

max. 7W/120V

E26, 2700 K

boule medium FLOOR LAMP

BASE

ceramic

SHADE

handblown glass, coloured

CABLE

textile, 4000 mm with foot switch and Euro-plug

DIMENSIONS (mm)

Ø 580 × 740 H

LIGHT SOURCE

Bulb: LED

Bulb fitting: E27 240 Volt

Dimensions (mm): Ø 125 × 170 H

Power consumption: 7 Watt

Voltage (V): 220–240; 50/60 Hz

Lifetime: 30 000 h

Radiation angle: 360°

Colour temperature: 2700 K

Lumen: 806 lm

Energy class: A++

Finish: warm white



UL Version

LED Filament fully dimmable

max. 8,5W/120V

E26, 2700 K

boule high FLOOR LAMP

BASE

ceramic

SHADE

handblown glass, coloured

CABLE

textile, 4000 mm with foot switch and Euro-plug

DIMENSIONS (mm)

Ø 520 × 825 H

LIGHT SOURCE

Bulb: LED

Bulb fitting: E27 240 Volt

Dimensions (mm): Ø 80 × 120 H

Power consumption: max. 7 Watt

Voltage (V): 220–240; 50/60 Hz

Lifetime: 30 000 h

Radiation angle: 360°

Colour temperature: 2700 K

Lumen: 806 lm

Energy class: A++

Finish: warm white



UL Version

LED Filament fully dimmable

max. 7W/120V

E26, 2700 K

CARE INSTRUCTIONS

Regular cleaning and maintenance is important in order to keep your pulpo product looking its best and to prolong its life. Always remove any kind of dirt as soon as possible. We recommend that you first test a small, invisible area to ensure that no colour change or damage arises to the product. Do not use materials for maintenance that contain abrasive agents or are basic, acid or organic.

GLASS CLEANING

For dusting and light cleaning of glass use a soft, dry cloth. For further cleaning gently wipe the surface with a soft cloth wrung in clean water and a non-abrasive commercial glass cleaner. Dry immediately afterwards with a soft, dry and clean cloth. Please note that bubbles, streaks and other variations in size and colour are part of the production process, and not defects of the design or production of handmade glass.

CERAMIC CLEANING

For dusting and light cleaning of ceramic use a soft, dry cloth. For further cleaning gently wipe the surface with a soft cloth wrung in clean warm water. Dry immediately afterwards with a soft, dry and clean cloth.